

PLEASE CHECK WWW.MOLEX.COM FOR LATEST PART INFORMATION

Part Number: **0192210594**
Status: **Active**
Description: Compression Style Ring Tongue Terminal for 1 AWG Cable, Stud Size 10, Un-Plated

Documents:

[Drawing \(PDF\)](#) [RoHS Certificate of Compliance \(PDF\)](#)

Agency Certification

CSA LR18689
 UL E32244

General

Product Family Ring and Spade Terminals
 Series 19221
 Comments Heavy Duty
 Crimp Quality Equipment Yes
 Mil-Spec N/A
 Product Name Battery Cable Lug
 Type Ring

Physical

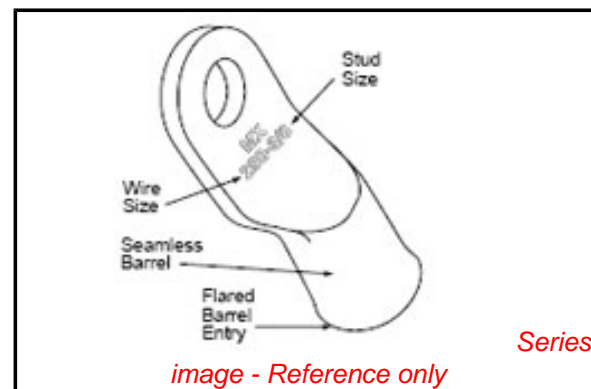
Barrel Type Closed
 Insulation None
 Material - Plating Mating Tin
 Packaging Type Bag
 Stud Size 10 (M5)
 Termination Interface: Style Crimp or Compression
 Wire Insulation Diameter N/A
 Wire Size AWG 1
 Wire Size mm² 42.4

Material Info

Old Part Number BCL-110

Reference - Drawing Numbers

Sales Drawing SD-19221-010



EU RoHS

ELV and RoHS Compliant

REACH SVHC

Not Reviewed

Halogen-Free

Status

Not Reviewed

Need more information on product environmental compliance?

Email productcompliance@molex.com
 For a multiple part number RoHS Certificate of Compliance, [click here](#)

Please visit the [Contact Us](#) section for any non-product compliance questions.

China RoHS



Search Parts in this Series

19221Series

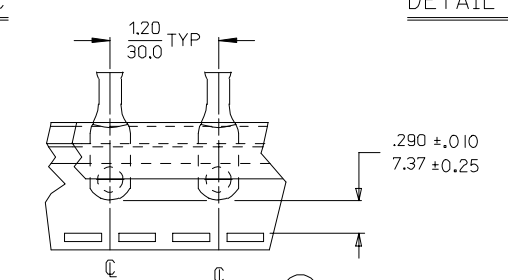
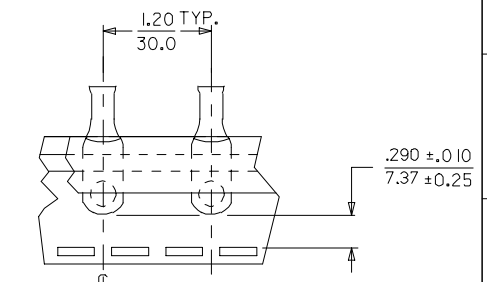
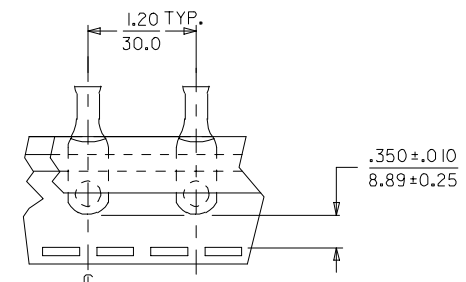
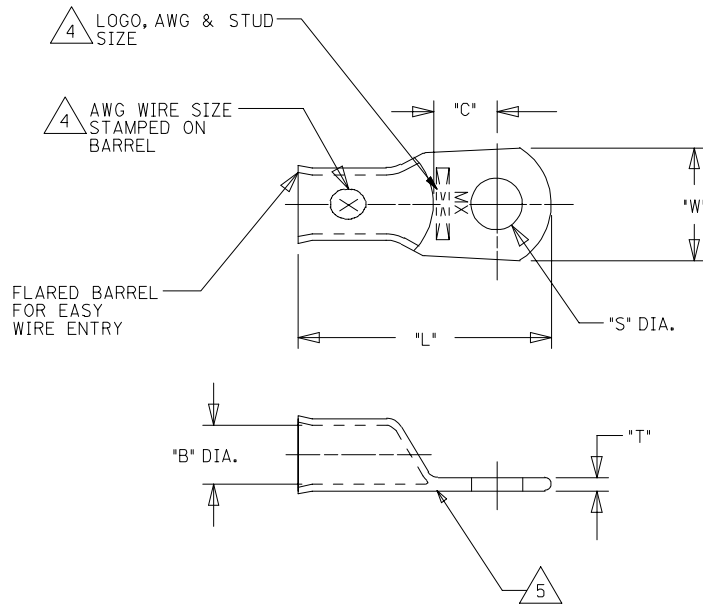
Application Tooling | [FAQ](#)

Tooling specifications and manuals are found by selecting the products below. Crimp Height Specifications are then contained in the Application Tooling Specification document.

Global

Description	Product #
Die Set (large) for the HHLS Hydraulic Crimper	<u>0192900011</u>

	13	12	11	10	9	8	7	6	5	4	3	2	1					
J	UNPLATED MATERIAL NUMBER	UNPLATED ENG. NUMBER	UNPLATED MAT. NO. ON TAPE	UNPLATED ENG. NO. ON TAPE	PLATED MATERIAL NUMBER	PLATED ENGINEERING NUMBER	PLATED MAT. NO. ON TAPE	PLATED ENG. NO. ON TAPE	SEE DETAIL	STUD SIZE	AWG WIRE RANGE	"S"	"L"	"W"	"C"	"B"	"T"	J
	1922 10451	BCL-410	---	---	1922 10452	BCL-410-PL	---	---	---	10/(4.83)	4	.214/(5.45)	1.500/(38.10)	.531/(13.49)	.429/(10.90)	.286/(7.26)	.080/(2.03)	
	1922 10404	BCL-414	---	---	1922 10230	BCL-414-PL	---	---	---	1/4/(6.4)	4	.278/(7.06)	1.500/(38.10)	.531/(13.49)	.429/(10.90)	.286/(7.26)	.080/(2.03)	
	1922 10405	BCL-4516	---	---	1922 10231	BCL-4516-PL	1908 20025	BCL-4516-PLT	D	5/16/(7.9)	4	.340/(8.64)	1.500/(38.10)	.531/(13.49)	.429/(10.90)	.286/(7.26)	.080/(2.03)	
	1922 10461	BCL-4516-WP	---	---	1922 10460	BCL-4516-WP-PL	---	---	---	5/16/(7.9)	4	.340/(8.64)	1.531/(38.89)	.625/(15.88)	.397/(10.08)	.286/(7.26)	.080/(2.03)	
	1922 10383	BCL-438	---	---	1922 10232	BCL-438-PL	1908 20026	BCL-438-PLT	E	3/8/(9.5)	4	.400/(10.16)	1.500/(38.10)	.531/(13.49)	.429/(10.90)	.286/(7.26)	.080/(2.03)	
	1922 10458	BCL-438-WP	---	---	1922 10456	BCL-438-WP-PL	1908 20027	BCL-438-WP-PLT	E	3/8/(9.5)	4	.400/(10.16)	1.531/(38.89)	.625/(15.88)	.397/(10.08)	.286/(7.26)	.080/(2.03)	
	1922 10459	BCL-438-XWP	---	---	1922 10457	BCL-438-XWP-PL	---	---	---	3/8/(9.5)	4	.400/(10.16)	1.688/(42.88)	.766/(19.46)	.444/(11.28)	.286/(7.26)	.100/(2.54)	
I	1922 10453	BCL-412	---	---	1922 10454	BCL-412-PL	---	---	---	1/2/(12.7)	4	.520/(13.21)	1.688/(42.88)	.766/(19.46)	.444/(11.28)	.286/(7.26)	.100/(2.54)	I
	1922 10419	BCL-214	---	---	1922 10418	BCL-214-PL	1908 20001	BCL-214-PLT	C	1/4/(6.4)	2	.278/(7.06)	1.625/(41.28)	.625/(15.88)	.437/(11.10)	.336/(8.53)	.095/(2.41)	
	1922 10400	BCL-2516	---	---	1922 10233	BCL-2516-PL	1908 20002	BCL-2516-PLT	C	5/16/(7.9)	2	.340/(8.63)	1.625/(41.28)	.625/(15.88)	.437/(11.10)	.336/(8.53)	.095/(2.41)	
	1922 10380	BCL-238	---	---	1922 10235	BCL-238-PL	---	---	---	3/8/(9.5)	2	.400/(10.16)	1.625/(41.28)	.625/(15.88)	.437/(11.10)	.336/(8.53)	.095/(2.41)	
	1922 10564	BCL-238-WP	---	---	1922 10565	BCL-238-WP-PL	---	---	---	3/8/(9.5)	2	.278/(7.06)	1.750/(44.45)	.750/(19.05)	.474/(12.04)	.336/(8.53)	.095/(2.41)	
	1922 10399	BCL-212-WP	---	---	1922 10236	BCL-212-WP-PL	---	---	---	1/2/(12.7)	2	.520/(13.21)	1.750/(44.45)	.750/(19.05)	.474/(12.04)	.336/(8.53)	.095/(2.41)	
H	1922 10594	BCL-110	---	---	1922 10595	BCL-110-PL	---	---	---	#10/(4.83)	1	.214/(5.45)	1.718/(43.64)	.656/(16.66)	.446/(11.33)	.360/(9.14)	.100/(2.54)	H
	1922 10421	BCL-114	---	---	1922 10420	BCL-114-PL	---	---	---	1/4/(6.4)	1	.278/(7.06)	1.718/(43.64)	.656/(16.66)	.446/(11.33)	.360/(9.14)	.100/(2.54)	
	1922 10396	BCL-1516	---	---	1922 10237	BCL-1516-PL	---	---	---	5/16/(7.9)	1	.340/(8.63)	1.718/(43.64)	.656/(16.66)	.446/(11.33)	.360/(9.14)	.100/(2.54)	
	1922 10378	BCL-138	---	---	1922 10238	BCL-138-PL	---	---	---	3/8/(9.5)	1	.400/(10.16)	1.718/(43.64)	.656/(16.66)	.446/(11.33)	.360/(9.14)	.100/(2.54)	
	1922 10580	BCL-138-WP	---	---	1922 10581	BCL-138-WP-PL	---	---	---	3/8/(9.5)	1	.400/(10.16)	1.844/(46.84)	.750/(19.05)	.474/(12.04)	.360/(9.14)	.100/(2.54)	
	1922 10395	BCL-112	---	---	1922 10239	BCL-112-PL	---	---	---	1/2/(12.7)	1	.520/(13.21)	1.844/(46.84)	.750/(19.05)	.474/(12.04)	.360/(9.14)	.100/(2.54)	



- NOTES:
- FOR INSPECTION SIGHT HOLE, PLEASE CONSULT FACTORY.
 - OTHER STUD SIZES MAY BE AVAILABLE, PLEASE CONSULT FACTORY.
 - MATERIAL: COPPER
PLATING: TIN
 - MARKINGS CAN BE AT EITHER LOCATION SHOWN.
 - IF TONGUE IS TO BE BENT AT ANY ANGLE, IT MUST BE BENT AROUND A RADIUS ONE HALF THE TONGUE THICKNESS.

ADDED DETAIL E EC NO: ETC2006-0005 DR: WILLSHADECK 2005/11/23 CHKD: ROSS 2005/11/23 APPR: JPAWLICK 2005/11/23	QUALITY SYMBOLS 	GENERAL TOLERANCES (UNLESS SPECIFIED)		DIMENSION STYLE		SCALE	DESIGN UNITS	THIRD ANGLE PROJECTION		
		mm	INCH	IN/MM		---	INCH			
		4 PLACES ± ---	± ---	DRAWN BY	DATE	TITLE				
		3 PLACES ± ---	± ---	BE	06/26/02	EYELET STYLE COPPER TERMINALS 4, 2, & 1 AWG LUGS				
2 PLACES ± ---	± ---	CHECKED BY	DATE	MOLEX INCORPORATED						
1 PLACE ± ---	± ---	HB	06/26/02							
ANGULAR ± --- °		APPROVED BY	DATE							
		RD	06/26/02							
DRAFT WHERE APPLICABLE MUST REMAIN WITHIN DIMENSIONS		MATERIAL NO.		SEE CHART		DOCUMENT NO.		SHEET NO.		
						SD-19221-010		1 OF 1		
THIS DRAWING CONTAINS INFORMATION THAT IS PROPRIETARY TO MOLEX INCORPORATED AND SHOULD NOT BE USED WITHOUT WRITTEN PERMISSION										